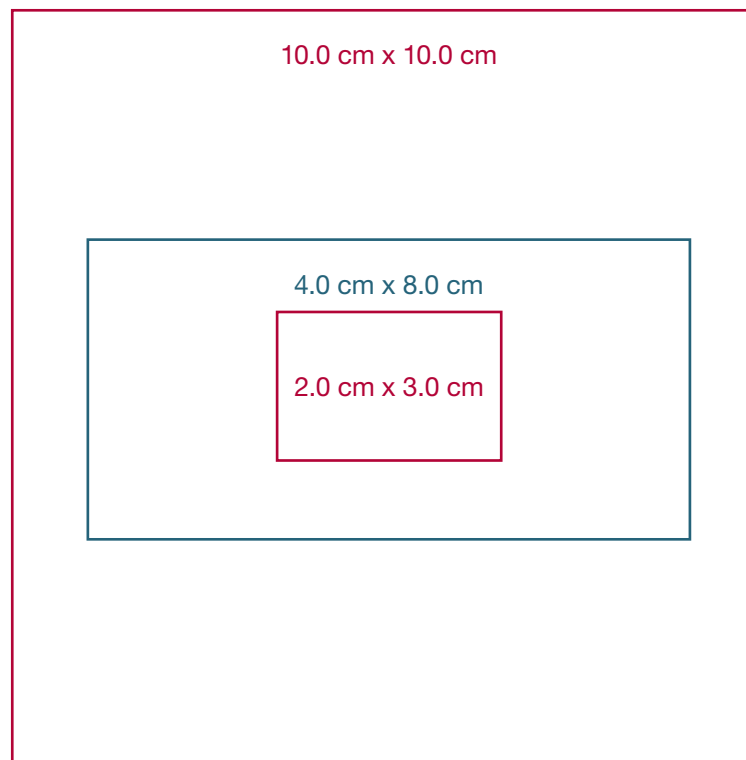
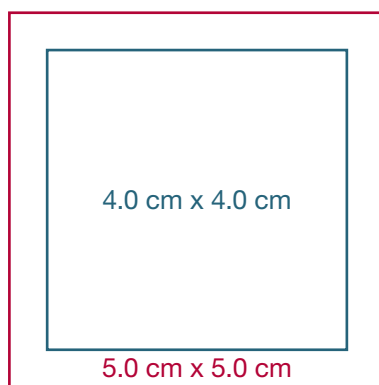
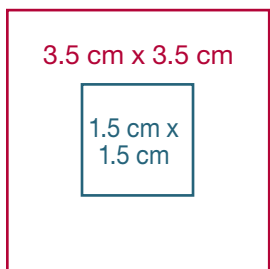


## Giving New Life to Complex Wounds

**AMNIOEXCEL®** is a dehydrated human amnion derived membrane with intact extracellular matrix that provides structural tissue and an environment for soft tissue reconstruction and regeneration.



12 mm

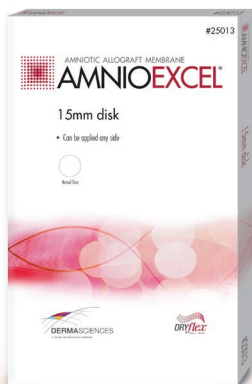
15 mm

18 mm

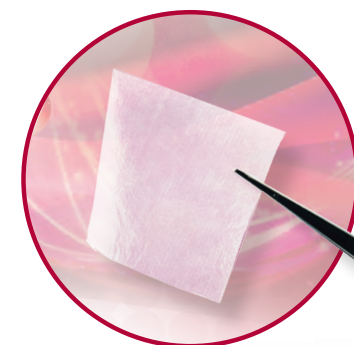
24 mm

*Dressings may not print to actual size*

## AMNIOEXCEL® Membrane Ordering and Reimbursement Information



ORDER CODE	DESCRIPTION	TOTAL SQUARE CENTIMETERS (UNITS)	HCPCS CODE (PER SQUARE CENTIMETER)
25012	12 mm disk	1 cm <sup>2</sup>	Q4137
25013	15 mm disk	2 cm <sup>2</sup>	Q4137
25018	18 mm disk	3 cm <sup>2</sup>	Q4137
25024	24 mm disk	5 cm <sup>2</sup>	Q4137
25015	1.5 cm x 1.5 cm	2 cm <sup>2</sup>	Q4137
25023	2.0 cm x 3.0 cm	6 cm <sup>2</sup>	Q4137
25035	3.5 cm x 3.5 cm	12 cm <sup>2</sup>	Q4137
25044	4.0 cm x 4.0 cm	16 cm <sup>2</sup>	Q4137
25048	4.0 cm x 8.0 cm	32 cm <sup>2</sup>	Q4137
25055	5.0 cm x 5.0 cm	25 cm <sup>2</sup>	Q4137
25110	10.0 cm x 10.0 cm	100 cm <sup>2</sup>	Q4137

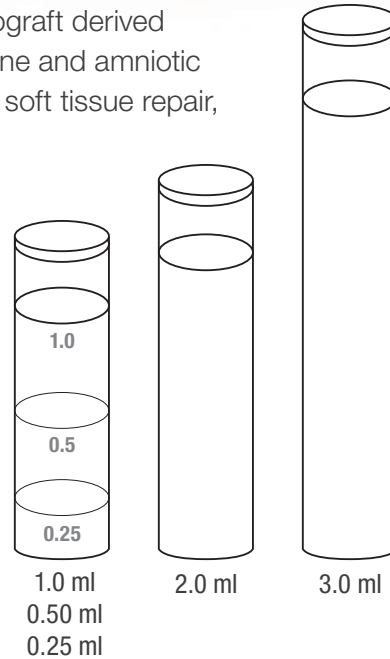


## A Next Generation Amniotic Allograft Suspension

AMNIOMATRIX® is a cryopreserved liquid allograft derived from the components of the amniotic membrane and amniotic fluid that provides structural tissue to advance soft tissue repair, replacement and reconstruction.

### AMNIOMATRIX® Suspension Dosage / Size Selection

WOUND SIZE (CM <sup>2</sup> )	VOLUME
<- 0.25	0.25 ml
0.25-1.0	0.50 ml
1.0-5.0	1.0 ml
5.0-10.0	2.0 ml
10-20	4.0 ml
20-50	6.0 ml



May not print to actual size



### Ordering and Reimbursement Information

ORDER CODE	DESCRIPTION	VOLUME	HCPCS CODE (PER CC)
25510	AMNIOMATRIX® Amniotic Allograft Suspension	0.25 ml	Q4139
25520	AMNIOMATRIX® Amniotic Allograft Suspension	0.50 ml	Q4139
25530	AMNIOMATRIX® Amniotic Allograft Suspension	1.0 ml	Q4139
25540	AMNIOMATRIX® Amniotic Allograft Suspension	2.0 ml	Q4139
25550	AMNIOMATRIX® Amniotic Allograft Suspension	3.0 ml	Q4139

The Derma Sciences Reimbursement Hotline team of reimbursement professionals from Argenta reSource will help with:

- Case preauthorization
- Verification of benefits
- Coding and reimbursement
- Appeal support for denied claims

The Derma Sciences Reimbursement Hotline is an ongoing Derma Sciences commitment to healthcare professionals and facilities using our regenerative medicine products to treat patients.

**DERMA SCIENCES REIMBURSEMENT HOTLINE**

**1-800-474-9511**

**HOURS:** Monday to Friday, 9 AM – 6 PM ET

**FAX:** 1-844-868-0930

**EMAIL :** [reimbursementsupport@dermasciences.com](mailto:reimbursementsupport@dermasciences.com)



214 Carnegie Center, Suite 300  
 Princeton, NJ 08540  
 (p): 800-825-4325  
 (f): 800-504-6614  
 Email: [cs@dermasciences.com](mailto:cs@dermasciences.com)  
[www.dermasciences.com](http://www.dermasciences.com)